

S53-344 Shown

Installation

Aerada™ 900 Series

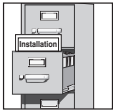
Futura Faucet

With Accu-Zone® (AZ) Infrared Control

- S53-341TL..... 4" Centerset
- S53-341TMA 4" Centerset w/ TMV
- S53-342 4" Centerset, no Solenoid Valve
- S53-343TL..... Centershank
- S53-343TMA Centershank w/TMV
- S53-344 Centershank, no Solenoid Valve
- S53-345TL..... 4" Centershank w/8" Trim Plate
- S53-345TMA 4" Centershank w/ 8" Trim Plate, TMV
- S53-346 4" Centershank w/ 8" Trim Plate, no Solenoid Valve

Supplies Required	2
Dimensions and Configurations.....	2
Installation	3
Multi-Faucet Wiring.....	4
Replacing the Sensor	5
Troubleshooting	5

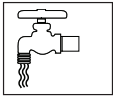
IMPORTANT!



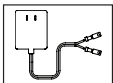
Read this entire installation manual to ensure proper installation. When finished with the installation, file this manual with the owner or maintenance department. Compliance and conformity to local codes and ordinances is the responsibility of the installer.



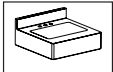
Separate parts from packaging and make sure all parts are accounted for before discarding packaging material. If any parts are missing, do not begin installation until you obtain the missing parts.



Make sure that all water supply lines have been flushed and then completely turned off before beginning installation. Debris in supply lines can cause valves to malfunction.



A transformer (supplied by Bradley or supplier) should be used in conjunction with the 900 Series Futura (AZ) Faucets. The transformer MUST be 24VAC. Connection to 120 VAC could result in personal injury and will damage the sensor.



When the faucet is mounted on a fixture with a stainless steel bowl, it is recommended that the bowl have a satin finish rather than a mirrored or highly polished finish.



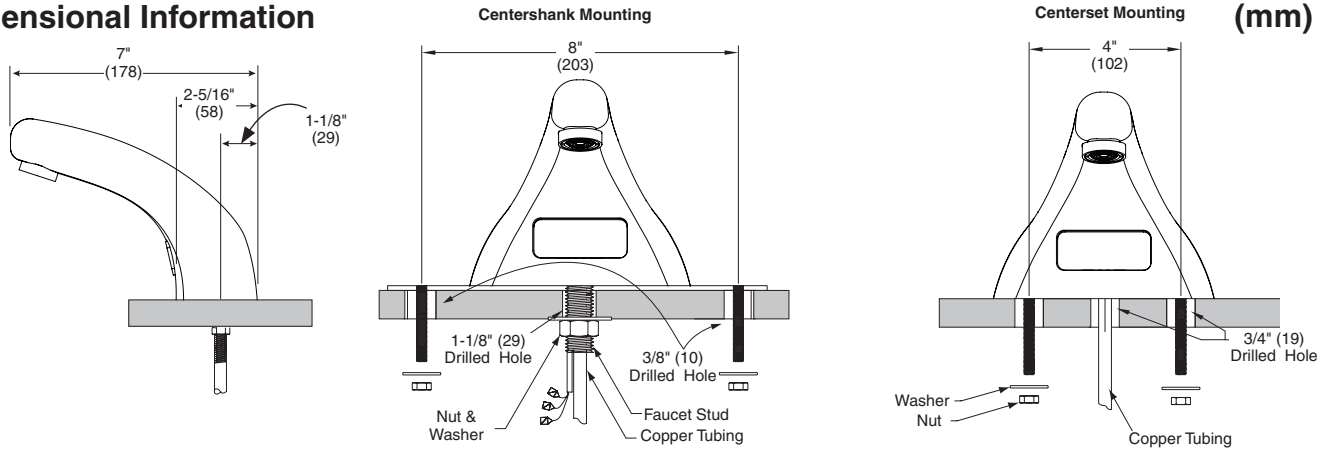
Product warranties may be found under "Products" on our web site at bradleycorp.com.



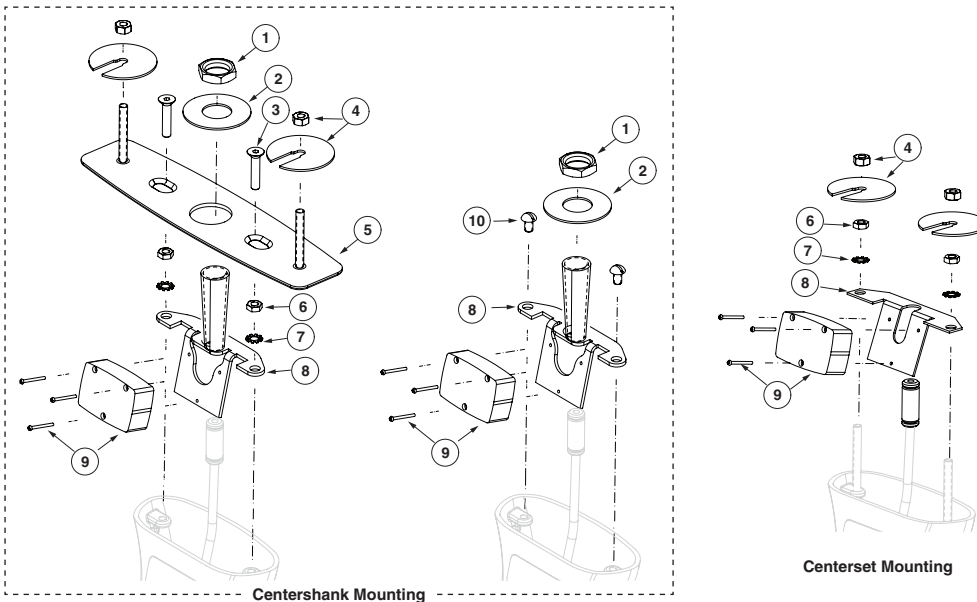
Supplies Required

- 120 VAC power source and 120 VAC/24 VAC transformer (Bradley part no. S83-005; must be ordered separately)
- OPTIONAL: Remote wiring from faucet to transformer; electrical box for transformer if required by local code
- 18-gauge two-conductor lamp cord (if additional wire length is required)
- Tempered/cold supply piping and fittings to solenoid valve (1/2" NPT)
- 1/4" O.D. tubing
- Pipe fittings, pipe sealant as required

Dimensional Information



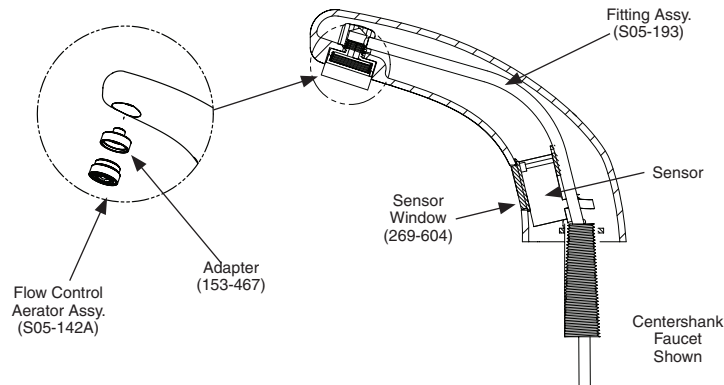
Mounting Configurations



Parts List

Ref.	Part No.	Description
1	110-115	Mounting Nut
2	112-002CB	Mounting Washer
3	161-151	8" Trimplate Mounting Screw
4	S27-224	Mounting Prepack
5	159-399	8" Trimplate
6	161-078	Sensor Bracket Nut
7	142-002BS	Sensor Bracket Washer
8	-	Sensor Bracket
9	S83-004	Sensor Assembly
10	160-169	Sensor Mounting Screw

Faucet Components

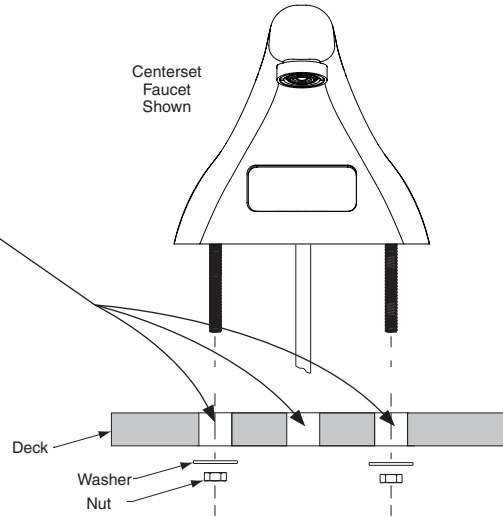


Installation

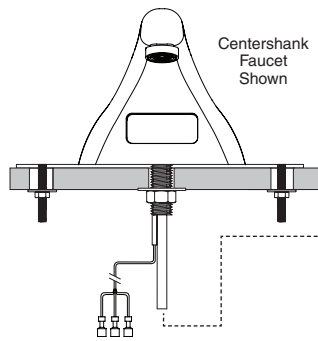
1 Mount Faucet on Deck

A Drill holes in deck to the size and position for your faucet configuration, as shown on previous page.

B Attach faucet and trim plate (if applicable) securely to deck. Seal around faucet and trim plate with plumber's putty.

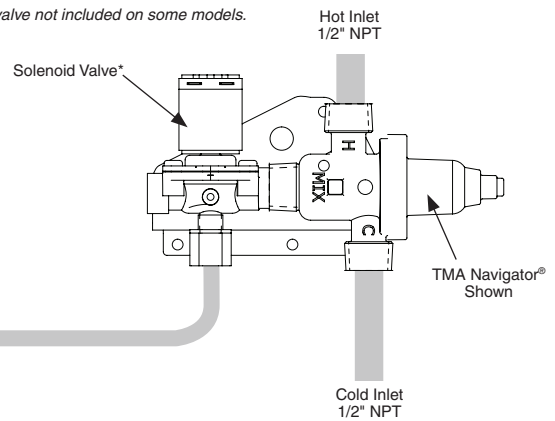


2 Connect Water Supply

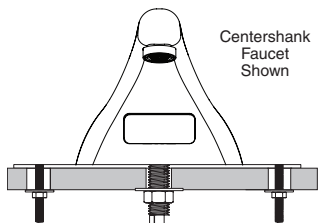


1/4" O.D. Tubing
(Supplied by Installer)
(30" max. length, IPC, section 604.5; UPC, section 604.12)

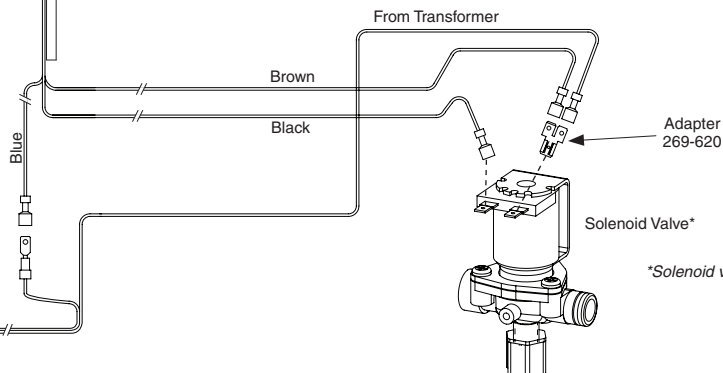
*Solenoid valve not included on some models.



3 Connect the Electric Supply



120VAC/24VAC
Transformer
Available as a
separate item
(Bradley Part
No. S83-005)



For Units Equipped with TMA Navigator® Mixing Valve, Complete steps 4 and 5 Below:

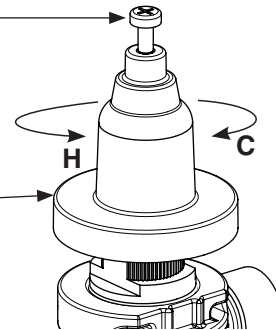
4 Adjust Temperature with Water Running



This valve is NOT factory preset. Upon installation, the temperature of this valve must be checked and adjusted to ensure delivery of a safe water temperature. Water in excess of 110°F (43°C) may cause scalding.

A Loosen Cap Screw about 1/4" (4-6 turns) and lift up cover (do not remove).

B Using cover, turn cartridge gently until desired water temperature is reached. Do not turn past stops as this may damage unit. Push cover down and tighten screw.



5 Test Unit



DO NOT SKIP THIS STEP!!!

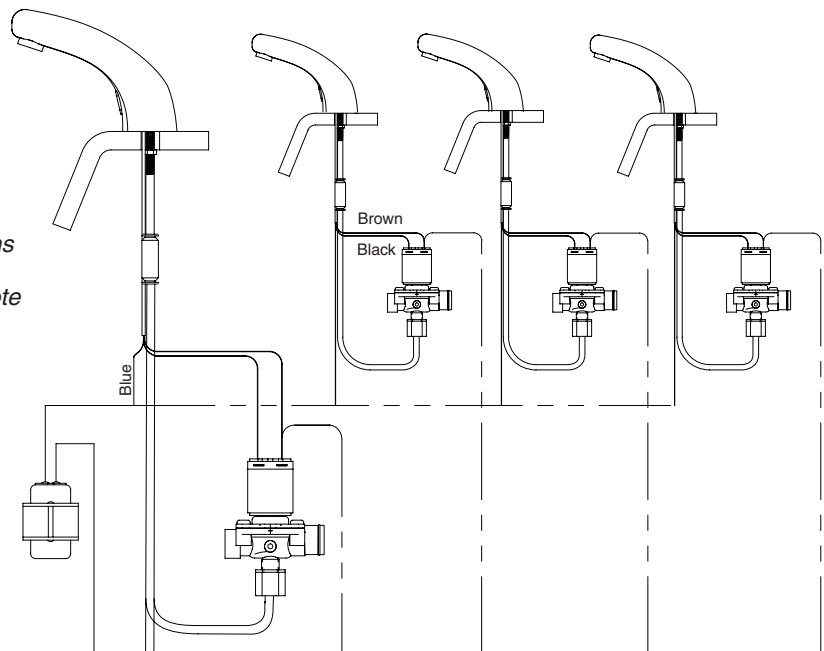
Shut the hot water inlet off by closing hot water inlet valve. While the hot water supply is turned off, check to make sure the cold water flow is reduced. If the cold water is reduced properly, reopen the hot water supply.

Shut the cold water inlet off by closing the cold water inlet valve. While the cold water supply is off, check to make sure that the hot water flow has shut down.

Multi-Faucet Wiring



One transformer operates up to four faucets at one time. Additional transformer(s) are required for installations with more than four faucets. Refer to the transformer's installation manual for remote mounting instructions.



Replacing the Sensor

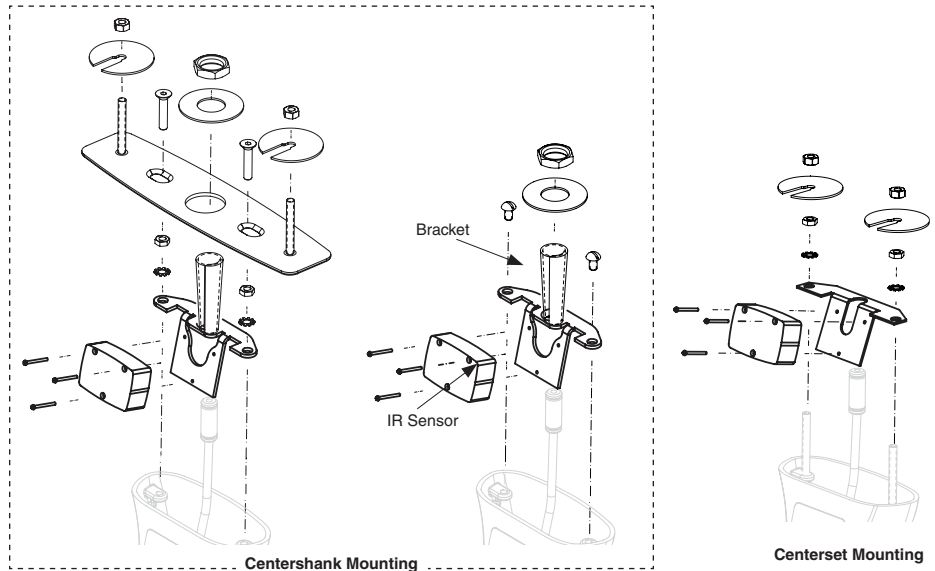


To avoid personal injury and/or damage to the faucet, **TURN OFF** the electrical power and water **BEFORE** beginning any cleaning, troubleshooting or maintenance.

A Disconnect the sensor wire leads from the faucet and remove the faucet from the deck.

B Following the illustrations at right for your faucet configuration, remove the screws and/or nuts holding the bracket, then carefully remove the bracket and sensor assembly from the faucet shell.

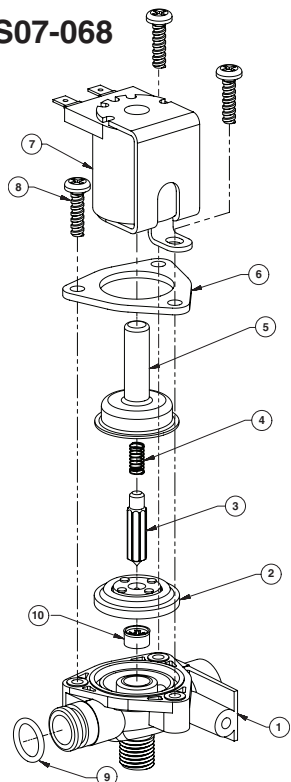
C Remove screws securing the existing sensor to bracket. Installation of the new sensor is the reverse process.



Sensor must be flush and parallel with the lens. Do not force or bend the bracket!

Troubleshooting – Solenoid Valve

S07-068



Problem	Cause	Solution
Faucet fails to shut off and drips.	<i>There is debris trapped between the diaphragm and the valve seat</i>	Remove debris between diaphragm and the valve seat: 1. Remove the three #8 Phillips-head screws that hold the solenoid valve assembly together. Be careful not to lose the armature or spring (see Parts List). 2. Remove the diaphragm. Remove any particles that have been trapped between the diaphragm and the valve seat. Rinse off the diaphragm and inspect for damage. Make sure the center orifice and both small side orifices are open. 3. Reassemble in reverse order, being careful not to overtighten the Phillips-head screws or you may crack the plastic valve body. Tighten until the armature plate makes contact with the plastic body. 4. Reconnect the wiring per diagram on page 3.
Faucet fails to turn on.	<i>A failed coil for the valve or loose electrical connection to the terminal.</i>	Repair loose connection. (If faucet still does not operate, replace coil.)

Parts List for S07-068

Ref.	Part No.	Description
1	118-307	Valve Body, 1/4" Closed
2	269-983	Diaphragm
3	269-577	Armature
4	269-578	Spring
5	269-1729	Armature Housing
6	269-1730	Clamp, Armature Housing
7	269-579	Coil, Solenoid Valve
8	160-447	Screw, #8 x 5/8"
9	125-165	O-Ring, #2-013
10*	125-160	Flow Restrictor, .5 GPM

* Not included with S07-067.

Troubleshooting – Thermostatic Mixing Valve



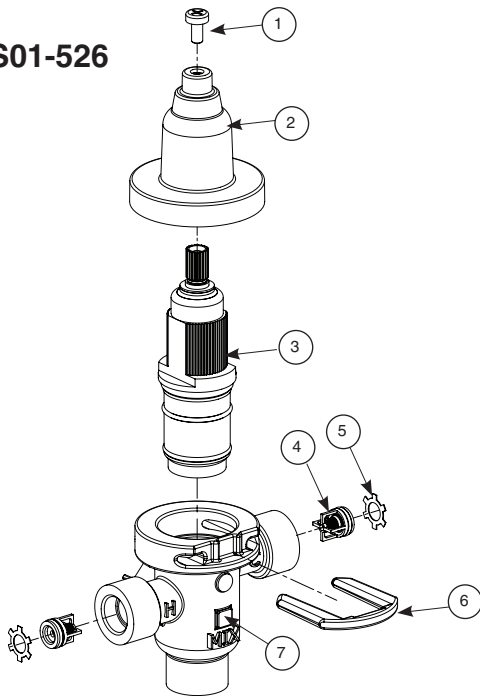
- Before attempting to troubleshoot the valve or disassemble the components, check for the following conditions:
- If stop valves are used, make sure that they are fully open.
 - Make sure that the hot and cold inlet pipes are connected properly, and that there are no cross-connections or leaking stop valves.
 - Check the hot water heater output to make sure that it is at least 10° F above the set temperature.



Close the appropriate shut-off valves prior to disassembly and reopen valves after inspection and repair is complete.

Problem	Cause	Solution
External leaks.	Damaged cartridge or O-rings.	Replace cartridge with part number 269-1927
Improper water temperature or temperature fluctuation.	Hot water supply is not 10° above desired set point.	Increase hot water supply temperature
	Valve temperature is not properly set.	Adjust the temperature as shown on page 4 step 4.
Limited water flow.	Dirt and debris have built up in the valve or strainer.	1. Check to make sure both hot and cold supplies are connected to the Navigator mixing valve and that they have water flow. 2. Remove cover and U-clip. Remove the cartridge and clean the strainer. It is not required to grease cartridge, however if desired, use silicone grease only. Do not use grease on check valves.

S01-526



Parts List for S01-526

Ref.	Part No.	Description
1	160-463	Cap Screw
2	107-582	Cover
3	269-1927	Thermostatic Cartridge
4	198-014	Check Valve*
5	132-051	Retaining Ring*
6	146-079	U-Clip
7	118-319	Valve Body

* Included with Prepack S65-326

Tempered Line Adapter Option: Part no. S39-804

